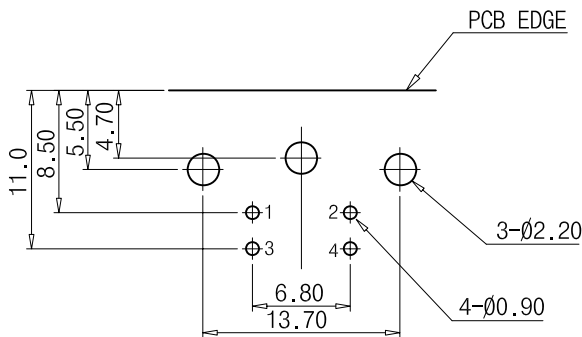
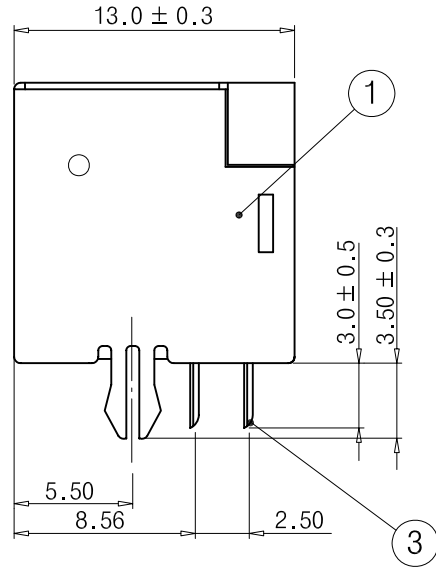
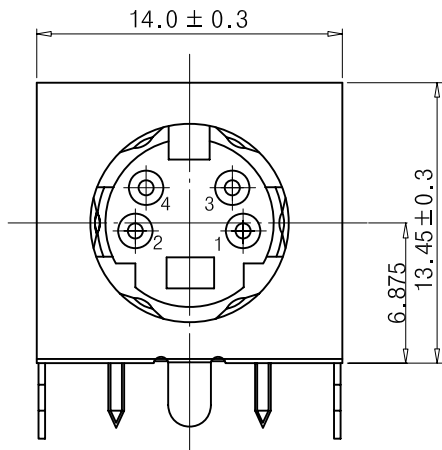
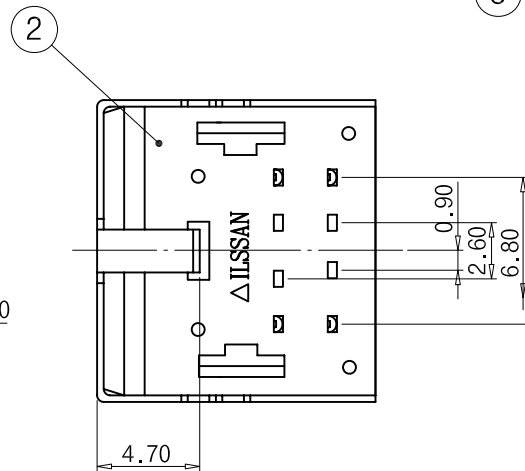


DRAWING	X.XXX	X.XX	X.X	X	Angle	REVISION HISTORY					
PRODUCT	±0.005	±0.05	±0.1	±0.2	±0.1°	REV	DATE	DESCRIPTION	DES'N BY	CH'D BY	APPROVED BY
TOOL	±0.001	±0.01	±0.1	±0.2	±0.1°	①					
(지시된 공차이외에는 상기표에 준함)						②					



TOP VIEW  
PCB HOLE PATTERN



1	SHIELD CAP	BRASS	0.3t	1	Ni PLATED
2	HOUSING	PBT GF20%	(UL94V-0)	1	BLACK COLOR
3	CONTACT PIN	PHOSPHOR BRONZE	GOLD PLATED	4	
NO	PART NAME	METERIAL	SPECIFICATION	Q'TY	REMARKS
DES'N BY	CH'D BY	APPROVED BY	DWG DATE 2001.12.18	TITLE MINI DIN SOCKET	
			SCALE 3/1	DWG NAME 4016-4MR-G0	STANDARD ASSY
			UNITS MM	DWG NO IS009A024A	ERP PB1XX020