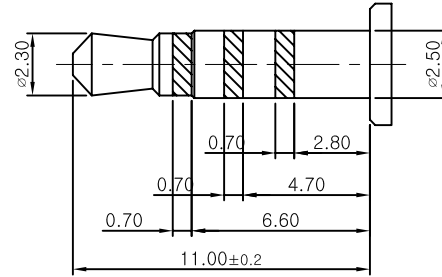
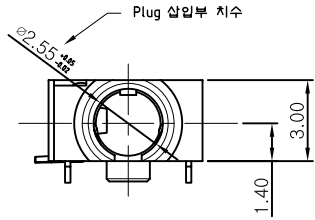
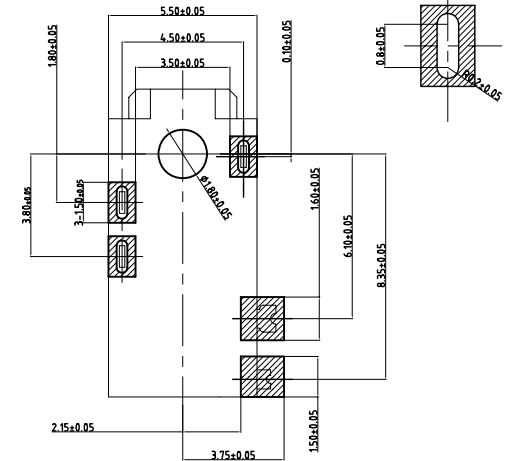
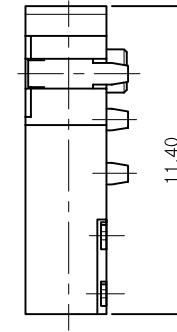
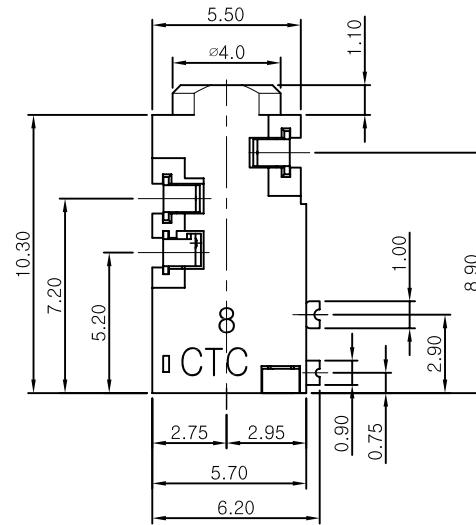
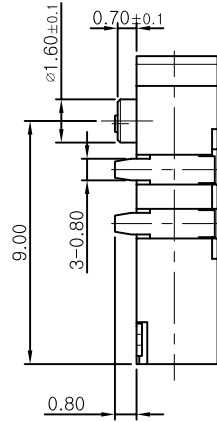
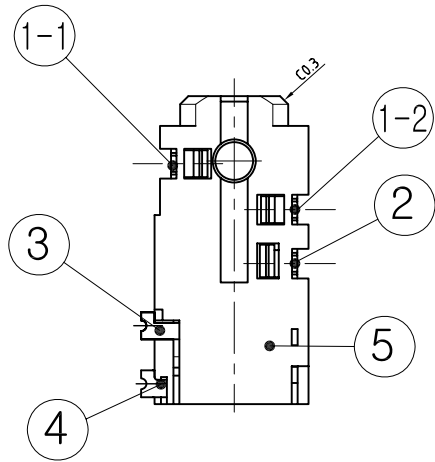


DRAWING	X	X.X	X.XX	X.XXX	ANGLE
TOLERANCE	±0.2	±0.1	±0.05	±0.01	±1°

품번 No	부품명 PART NAME	수량 Q'TY	재질 MATERIAL	색상 COLOR	처리 FINISH	비고 REMARK
01	7500 CONTACT C	2	Copper Alloy	GOLD	Gold plated (thickness<math>\langle \rangle 0.03-0.08</math>)	
02	7605 CONTACT E	1	Copper Alloy	GOLD	Gold plated (thickness<math>\langle \rangle 0.03-0.08</math>)	
03	7502 CONTACT B	1	Copper Alloy	GOLD	Gold plated (thickness<math>\langle \rangle 0.03-0.08</math>)	
04	7607 SWITCH	1	Copper Alloy	GOLD	Gold plated (thickness<math>\langle \rangle 0.03-0.08</math>)	
05	7605 HOUSING	1	PA9T	BLACK		



Recommended Plug

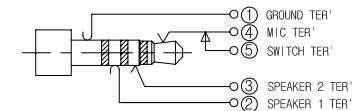


DETAIL OF PRODUCT PATTERN

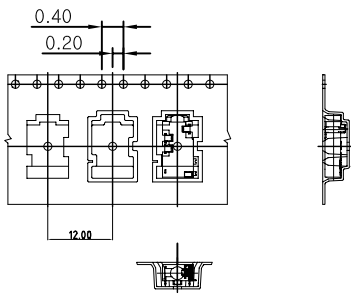
SCALE 5/1

- NOTE -

- 1) Unstricted Tolerance ±0.1
- 2) No Burr
- 3) Circuit



4) Co-plarnarity



Reel Packing

△					설계 DES'N BY	검도 CH'D BY	승인 APPROVE BY	작성 일자 DWG DATE	05.09.21	모델명 MODEL NAME	EAR PHONE JACK 4 POLE		
△								척도 SCALE	N / S	부품명 PART NAME	7605 ASSEMBLY	제품 규격 STANDARD	7605-2.5G-DB1-A(New)
△					 Connction Technologies Corporation			단위 UNITS	mm	도번 DWG No	IS104A033A	제품 코드 ERP CODE	PE4XX120
No	내	용	작성일	작성자				승인					