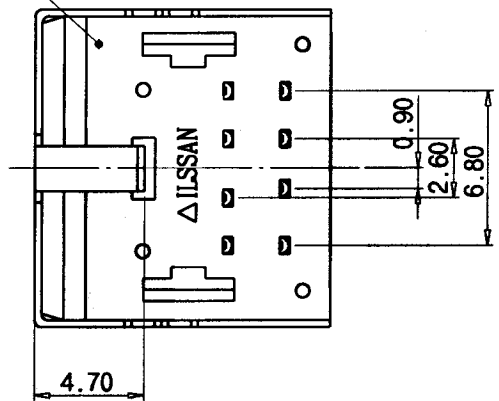
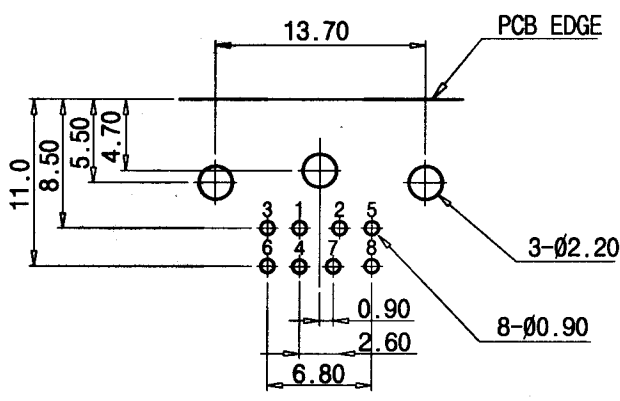
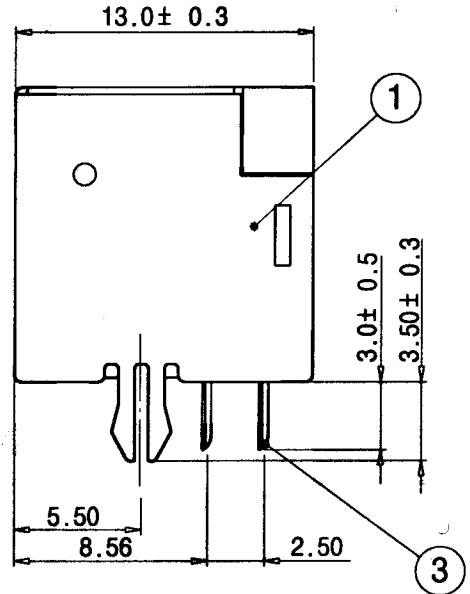
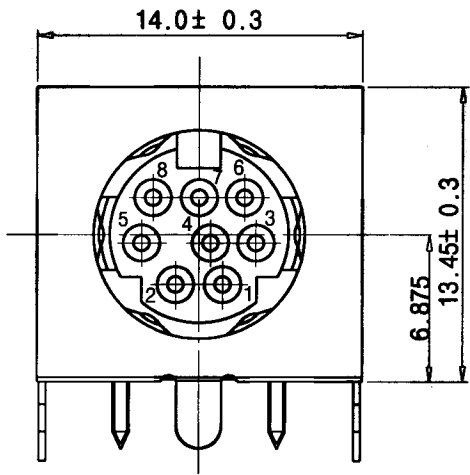


DRAWING	X.XXX	X.XX	X.X	X	Angle	REVISION HISTORY					
PRODUCT	± 0.005	± 0.05	± 0.1	± 0.2	± 0.1°	REV	DATE	DESCRIPTION	DES'N BY	CH'D BY	APPROVED BY
TOOL	± 0.001	± 0.01	± 0.1	± 0.2	± 0.1°	△					

(지시된 공차이외에는 상기표에 준함)



TOP VIEW  
PCB HOLE PATTERN

1	SHIELD CAP	BRASS	0.3t	1	Ni PLATED
2	HOUSING	PBT GF20%	(UL94V-0)	1	BLACK COLOR
3	CONTACT PIN	PHOSPHOR BRONZE	GOLD PLATED	8	
NO	PART NAME	METERIAL	SPECIFICATION	Q'TY	REMARK
DES'N BY	CH'D BY	APPROVED BY	DWG DATE	TITLE	
			2001.12.18	MINI DIN SOCKET	
SCALE			3/1	4016-8MR-G0	
UNITS			MM	DWG NO	IS009A064B

**Powernet**  
Fast Internet Power Access