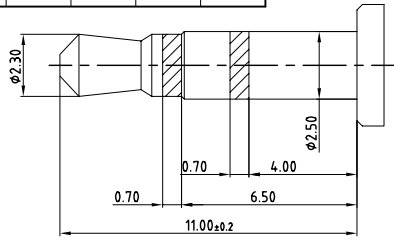
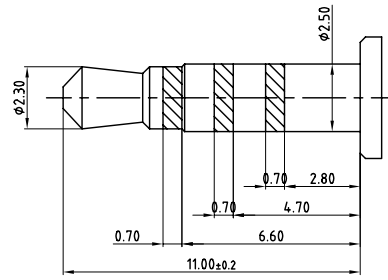


DRAWING	X	X.X	X.XX	X.XXX	ANGLE
TOLERANCE	±0.2	±0.1	±0.05	±0.01	±1°

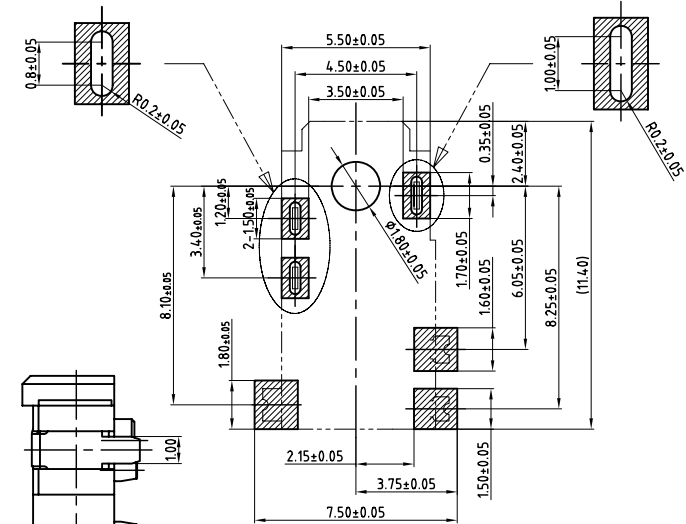
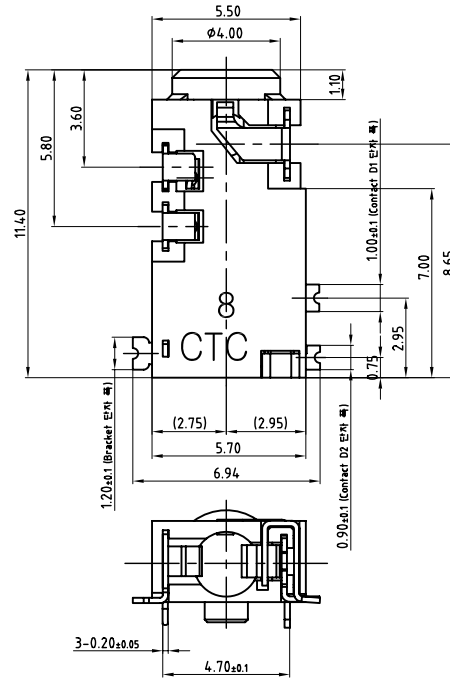
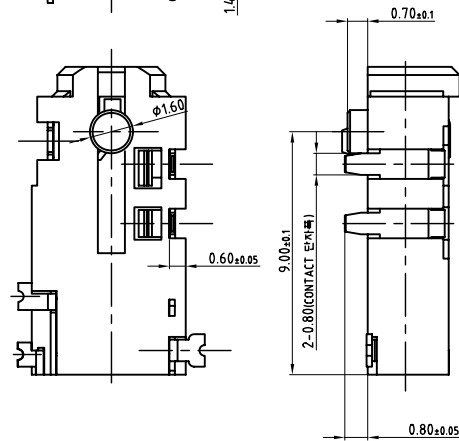
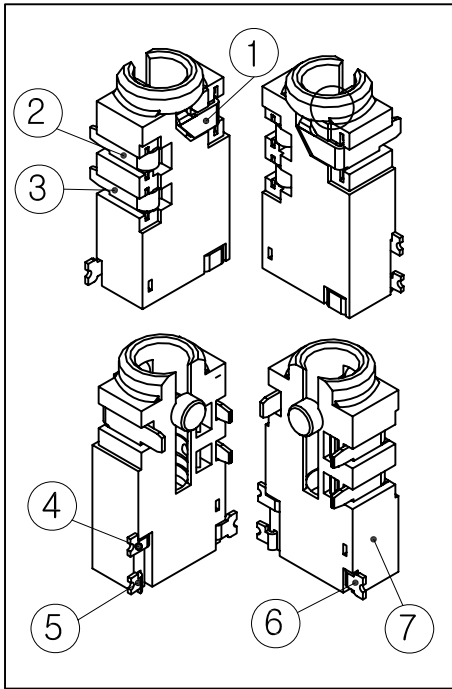
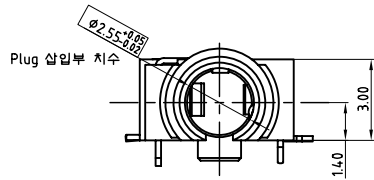


3 POLE



4 POLE(2.8)

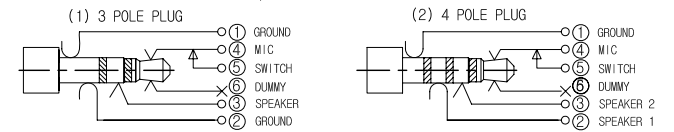
Recommended Plug



DETAIL OF PRODUCT PATTERN

- NOTE -

- 1) 지시없는 공차 ±0.1
- 2) BURR 없을 것
- 3) 외관상태 찌뭉, 휨, 미성형등 이상 없을 것
- 4) Circuit



5) SMT 높이 치수 및 평탄도 치수



순번	부품명	수량	재질	색상	처리	비고
No	PART NAME	Q'TY	MATERIAL	COLOR	FINISH	REMARK
01	7607 GROUND	1	Copper Alloy	GOLD	Gold plated (thickness$\lt; 0.03-0.08)$	
02	7607 CONTACT F	1	Copper Alloy	GOLD	Gold plated (thickness$\lt; 0.03-0.08)$	
03	7500 CONTACT C	1	Copper Alloy	GOLD	Gold plated (thickness$\lt; 0.03-0.08)$	
04	7502 CONTACT B	1	Copper Alloy	GOLD	Gold plated (thickness$\lt; 0.03-0.08)$	
05	7607 SWITCH	1	Copper Alloy	GOLD	Gold plated (thickness$\lt; 0.03-0.08)$	
06	7607 DUMMY	1	Copper Alloy	GOLD	Gold plated (thickness$\lt; 0.03-0.08)$	
07	7607 HOUSING	1	THERMOPLASTIC	BLACK		

△					설계	검도	승인	작성 일자	모델명	
△					DES'N BY	CH'D BY	APPROVE BY	DWG DATE	MODEL NAME	
△								06.01.26	EAR PHONE JACK 4 POLE	
△								척도	부품명	제품규격
								SCALE	PART NAME	STANDARD
								N / S	7607 ASSEMBLY	7607-2.5G-DB1-A
No	내	용	작성일	작성자	승인	 Connection Technologies Corporation		단위	도번	제품코드
						UNITS	mm	DWG No	IS106A023A	ERP CODE
									PE4XX380	