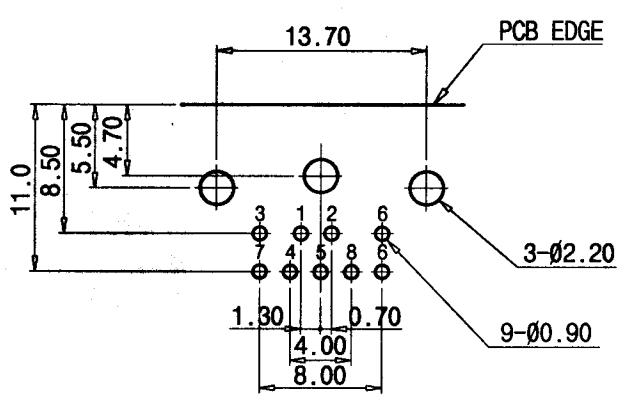
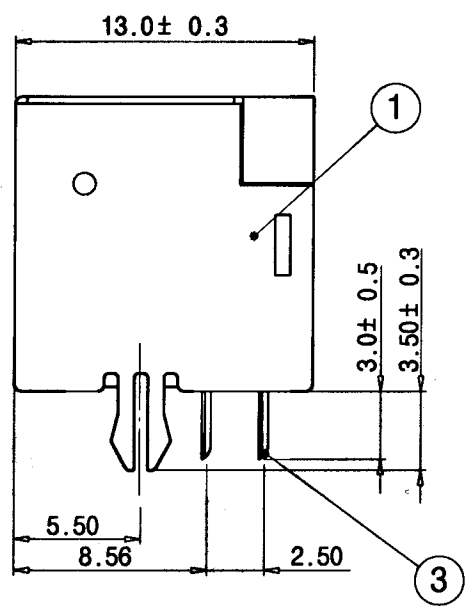
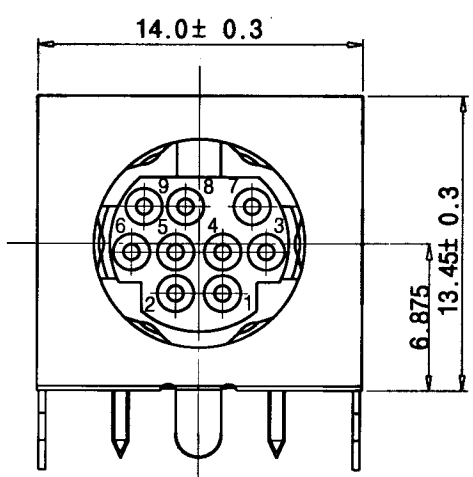
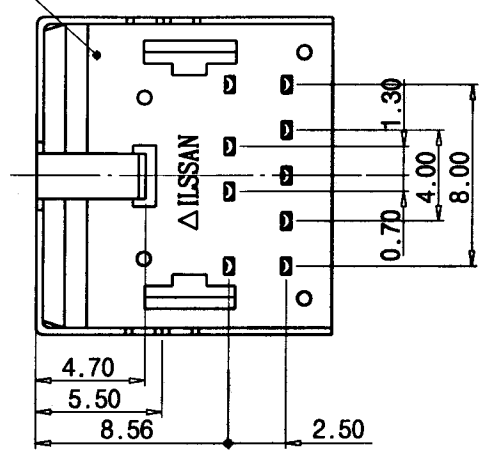


DRAWING	X.XXX	X.XX	X.X	X	Angle	REVISION HISTORY					
PRODUCT	± 0.005	± 0.05	± 0.1	± 0.2	± 0.1°	REV	DATE	DESCRIPTION	DES'N BY	CH'D BY	APPROVED BY
TOOL	± 0.001	± 0.01	± 0.1	± 0.2	± 0.1°	△					

(지시된 공차이외에는 상기표에 준함)



TOP VIEW
PCB HOLE PATTERN



1	SHIELD CAP	BRASS	0.3t	1	Ni PLATED
2	HOUSING	PBT GF20%	(UL94V-0)	1	BLACK COLOR
3	CONTACT PIN	PHOSPHOR BRONZE	GOLD PLATED	9	
NO	PART NAME	MATERIAL	SPECIFICATION	Q'TY	REMARK

DES'N BY	CH'D BY	APPROVED BY	DWG DATE	TITLE
<i>Woo</i>	<i>...</i>	<i>...</i>	2001.12.18	MINI DIN SOCKET
			SCALE	4016-9MR-G0
			UNITS	DWG NO
			MM	IS009A074B