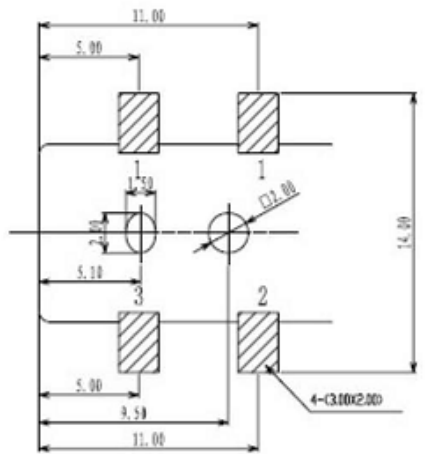
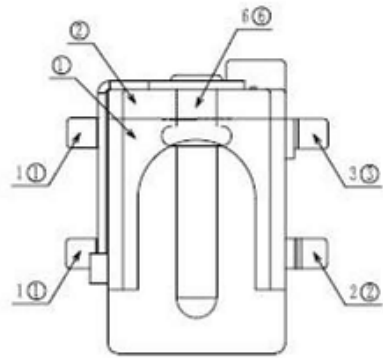
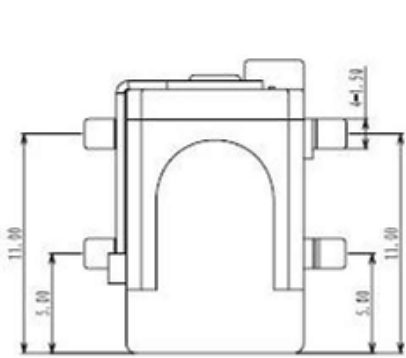
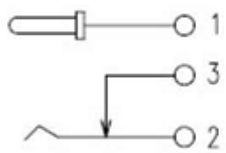
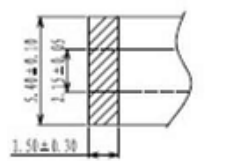
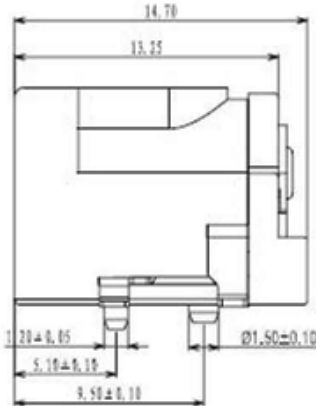
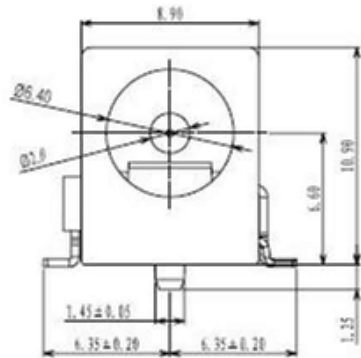


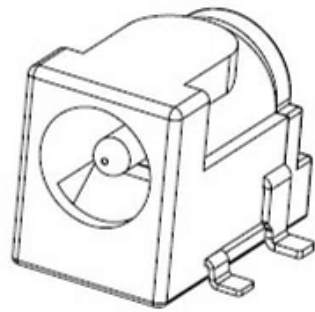
| REV. | ECN NO. | LOCATIONS. | DESCRIPTION | DATE | CHANGER |
|------|---------|------------|-------------|------|---------|
| A1 | | | | | |



PCB LAYOUT TOP VIEW

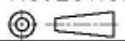


CIRCUIT DIAGRAM



CTC Connection Technologies Corporation

PROJECTION:



| DRAWN | CHECKED | APP'D | SERIES | DC POWER JACK | TOLERANCE |
|-------|---------|-------|------------|---------------|---------------|
| | | | | | |
| | | | PART NO. | DC00500FR | ANGLE |
| | | | DRAW NO. | A-DC00500FR | UP TO 10 |
| | | | SCALE: 1:1 | UNIT: mm | VERSION: A1 |
| | | | PAGE: 1/1 | DATE : | ABOVE 10 ~ 50 |
| | | | | | ±0.3 |
| | | | | | ±0.5 |

| LTR | PART NAME | QTY | MATERIAL | FINISH |
|-----|--------------|-----|-------------|--------------------|
| 6 | PIN | 1 | C2680 | MB:Cu Cu/Sn PLATED |
| 5 | TIP SPRING | 1 | C5191 t=0.3 | MB:Ag PLATED |
| 4 | SHUNT SPRING | 1 | C2680 | MB:Ag PLATED |
| 3 | TERMINAL | 1 | C2680 t=0.3 | MB:Ag PLATED |
| 2 | COVER | 1 | PA9T | BLACK |
| 1 | HOUSING | 1 | PA9T | BLACK |

Wang Liang Wang Yu Wang Jifun