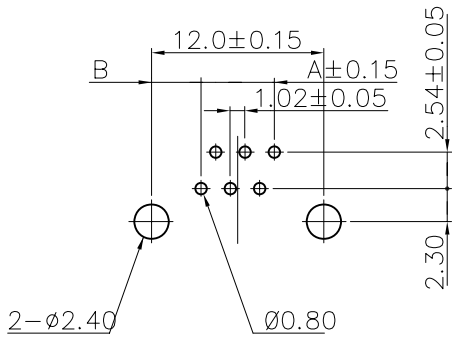
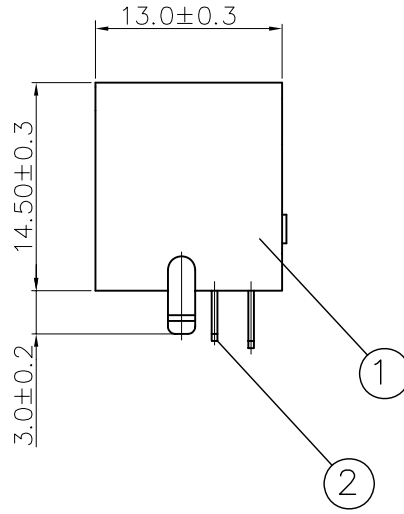
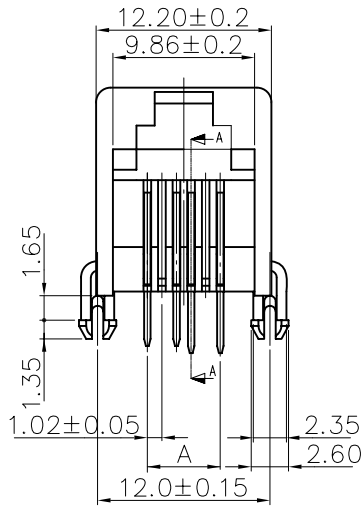
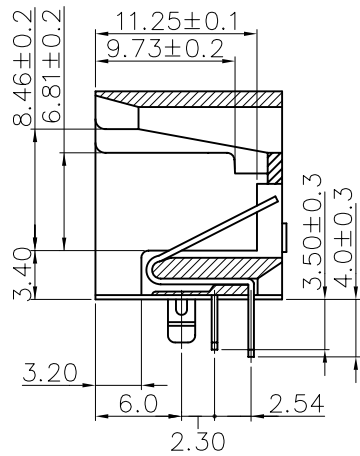


DRAWING	X.XXX	X.XX	X.X	X	Angle	REVISION HISTORY					
PRODUCT	±0.005	±0.05	±0.1	±0.2	±0.1°	REV	DATE	DESCRIPTION	DES'N BY	CH'D BY	APPROVED BY
TOOL	±0.001	±0.01	±0.1	±0.2	±0.1°	①					
(지시된 공차이외에는 상기표에 준함)						②					




PCB HOLE PATTERN



SECTION A-A'

PARTS	DIMENSION			
	POSITIONS	CONTACTS	A	B
ISP-62AC	6	2	1.02	5.49
ISP-64AC	6	4	3.06	4.47
ISP-66AC	6	6	5.10	3.45

1	HOUSING	PBT GF15%(UL94V-0)	GRAY COLOR	1	
2	CONTACT PIN	PHOSPHOR BRONZE	SELECTIVE GOLD PLATED	4	
NO	PART NAME	METERIAL	SPECIFICATION	Q'TY	REMARKS
DES'N BY	CH'D BY	APPROVED BY	DWG DATE 1999. 6. 1	TITLE MODULAR JACK	
			SCALE 2/1	DWG NAME ISP-6*AC	STANDARD ASSY
 Conntction Technology Corporation			UNITS MM	DWG NO IS001A044A	ERP PN1XX040 PN1XX070