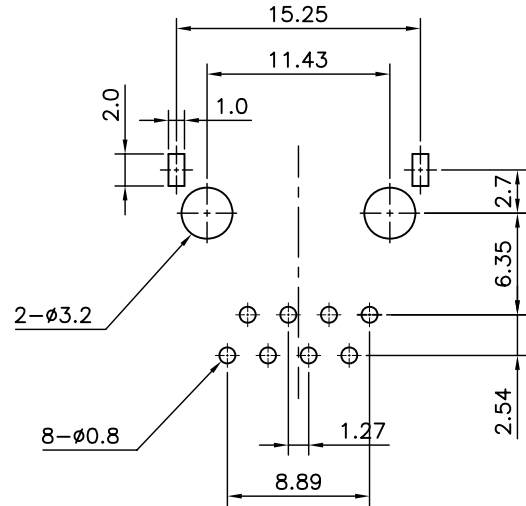
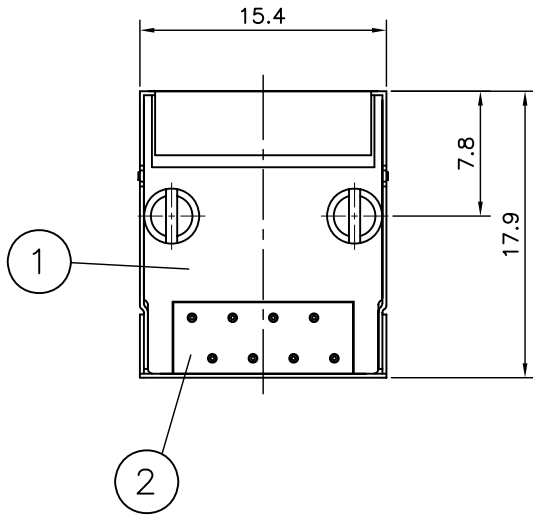
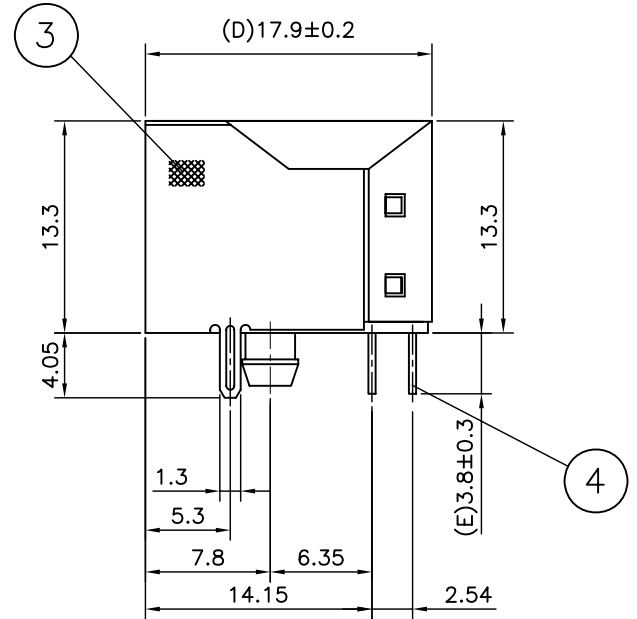
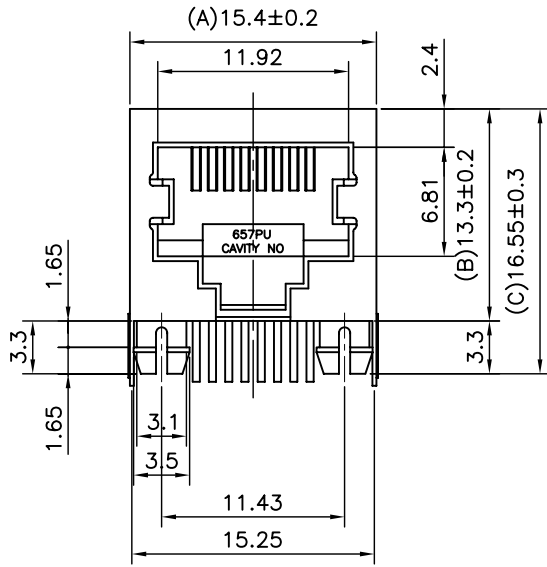


DRAWING	X.XXX	X.XX	X.X	X	Angle	REVISION HISTORY					
PRODUCT	±0.005	±0.05	±0.1	±0.2	±0.1°	REV	DATE	DESCRIPTION	DES'N BY	CH'D BY	APPROVED BY
TOOL	±0.001	±0.01	±0.1	±0.2	±0.1°	△1					
(지시되지 않은 공차는 상기표에 준함)						△2					
						△3					



PCB LAYOUT

4	CONTACT WIRE	P/PHROUS BRONZE WIRE(∅0.45)	Au M-IN	8	EX OR EQ
3	SHIELD	BRASS/0.25t	Ni PLATING	1	HP OR EQ
2	INSERT	PBT/GP2306-F	BLACK	1	LG OR EQ
1	HOUSING	PBT/GP2306-F	BLACK	1	LG OR EQ
NO	PART NAME	MATERIAL	SPECIFICATION	Q'TY	REMARKS

DES'N BY	CH'D BY	APPROVED BY	DWG DATE	TITLE
			2001.2.10	MODULAR JACK
			SCALE	1160-88-*
			2/1	
			UNITS	DWG NO
			MM	