

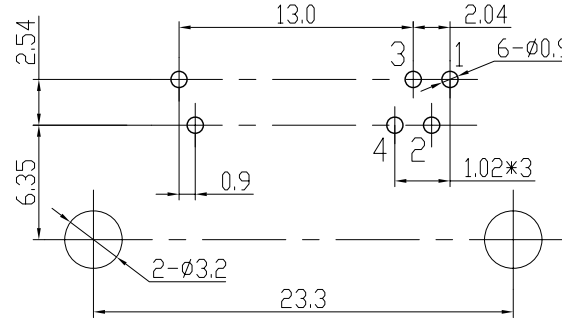
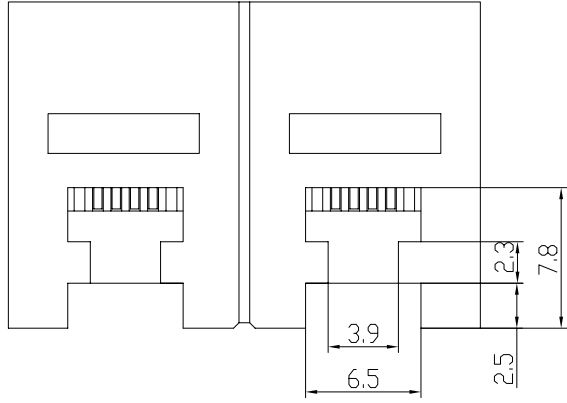
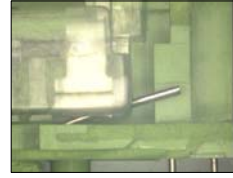
DRAWING	X.XX	X.X
TOLERANCE	±0.1	±0.25

품번 No	부품명 PART NAME	수량 Q'TY	재질 MATERIAL	색상 COLOR	처리 FINISH	비고 REMARK
01	HOUSING	1	PBT	Black		
02	CONTACT-L	1	Phosphor bronze	Gold	Ni 1.27μm, Au0.013μm	□0.45
03	CONTACT-S	1	Phosphor bronze	Gold	Ni 1.27μm, Au0.013μm	□0.45

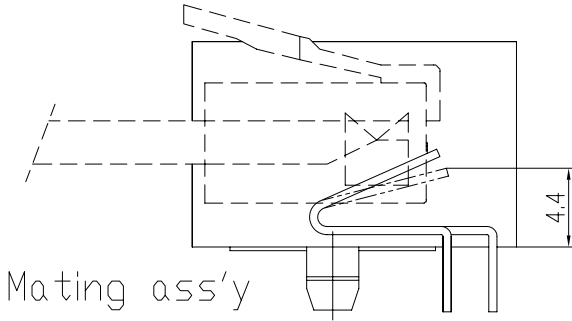
(1μ"=0.0254μm)

SPECIFICATION

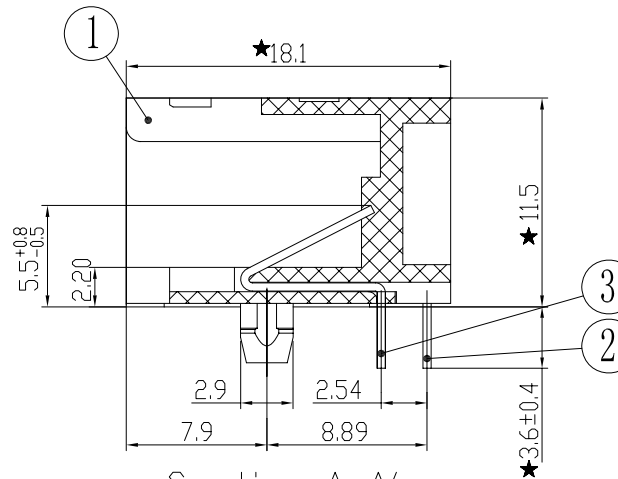
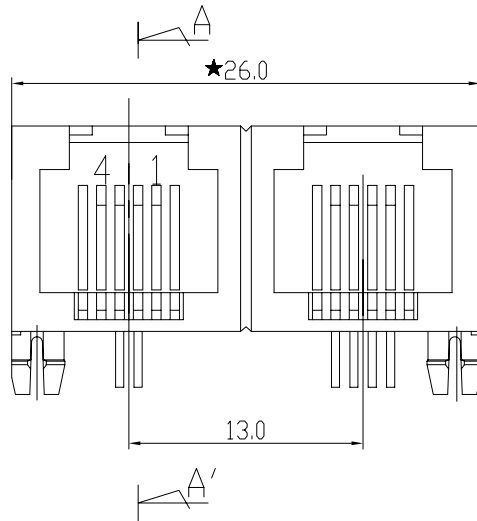
- 1.Rating : 125V RMS, 1.5A
- 2.Contact resistance : 30mΩ min
- 3.Insulation resistanc : 500MΩ min(DC500V)
- 4.Retention strength: 5.0Kgf min between jack and plug.
- 5.life test : 600 cycles



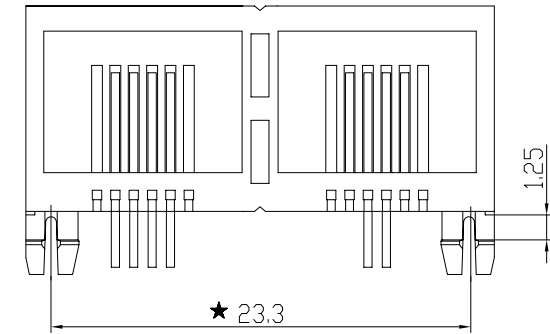
PCB Layout



Mating ass'y



Section A-A'



△					설계 DES'N BY	검도 CH'D BY	승인 APPROVE BY	작성일자 DWG DATE	14.12.18	모델명 MODEL NAME	RJ11 MODULAR DUAL JACK				
△								척도 SCALE	N/S	단위 UNITS	mm	부품명 PART NAME	ASSEMBLY	제품규격 STANDARD	SC309-5324-1X2(L2C_R4C)BK
△								투상법 PROJECTION			도번 DWG NO		제품코드 ERP CODE		
No	내	용	작성일	작성자	승인	<b>CTC</b>		Conntction Technology Corporation							